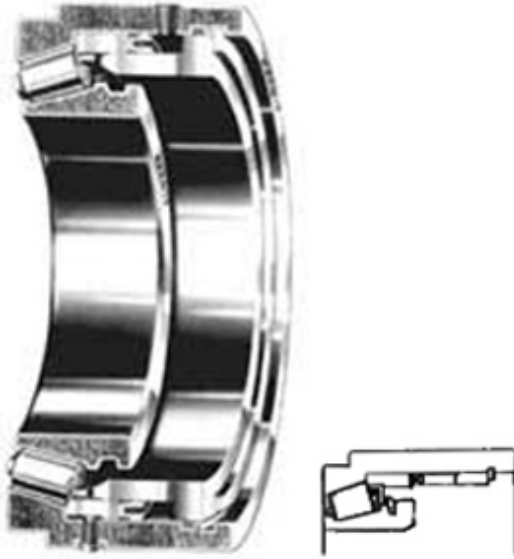




Shenyang Sharjah Bearing Co.,Ltd.



TIMKEN JP5049PH-90CA9 Tapered Roller Bearing Assemblies

Bearing No. JP5049PH-90CA9

JP5049PH-90CA9 Bearing 2D drawings and 3D CAD models

Category	Tapered Roller Bearing Assemblies
Inventory	0.0
Manufacturer Name	TIMKEN
Minimum Buy Quantity	N/A
Weight	2.32
EAN	0053893806358
Product Group	B04334
Precision Class	Standard
Component	Assembly
Basic Number	JP5049
Assembly Number	90CA9
Assembly Components	JP5049PH (1) JP5017HR (1) K518413 (1) K518414-B (1) K518416 (1) K518417 (1) K523963 (1) K523971R (1) K524657 (2) K524666 (1)
Number of Tapered Rows	Single Row
Inch - Metric	Metric
Other Features	1 Single Cone 1 Single Cup Hydra-Rib Bearing
Long Description	Assembly; Standard Precision; Components JP5049PH (1) JP5017HR (1) K518413 (1) K518414-B (1) K518416 (1) K518417 (1) K523963 (1) K523971R (1) K524657 (2) K524666 (1);



Shenyang Sharjah Bearing Co.,Ltd.

	50MM Bore; 104M
Category	Tapered Roller Bearings Assembly
UNSPSC	31171516
Harmonized Tariff Code	8482.20.00.00
Noun	Bearing
Keyword String	Tapered
Manufacturer URL	http://www.timken.com
Manufacturer Item Number	JP5049PH-90CA9
Weight / LBS	5.106
d	1.969 Inch 50 Millimeter
D	4.094 Inch 104 Millimeter
Assembly Width	1.22 Inch 31 Millimeter
Flange Outside Diameter	4.062 Inch 103.175 Millimeter