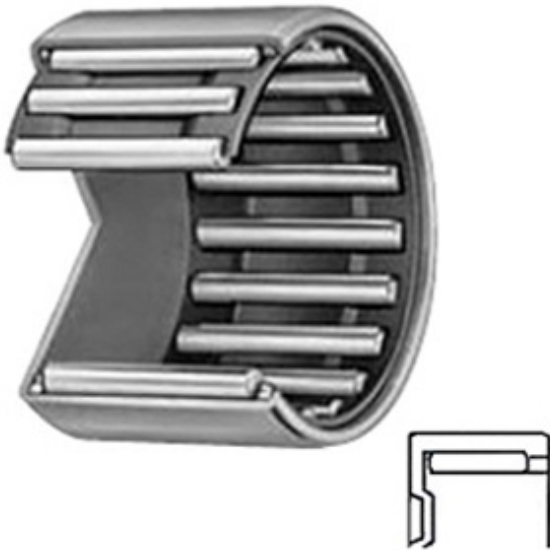




Shenyang Sharjah Bearing Co.,Ltd.



BAM98 Bearing 2D drawings and 3D CAD models

0.563 Inch | 14.3 Millimeter x 0.75 Inch | 19.05
 Millimeter x 0.5 Inch | 12.7 Millimeter IKO
 BAM98 Needle Non Thrust Roller Bearings

Bearing No. BAM98

Category	Needle Non Thrust Roller Bearings
Inventory	0.0
Manufacturer Name	IKO
Minimum Buy Quantity	N/A
Weight	0.009
EAN	4549557002328
Product Group	B04144
Rolling Element	Needle Roller Bearing
Component	Roller Assembly with Outer Ring - No Inner Ring
Enclosure	Open
Self Aligning	No
Retainer	Yes
Number of Rows of Rollers	Single Row
Separable	No
Closed End	Yes
Inch - Metric	Inch
Relubricatable	No
Thrust Bearing	No
Long Description	9/16" Bore; 3/4" Outside Diameter; 1/2" Width; Needle Roller Bearing; Roller Assembly with Outer Ring - No Inner Ring; Open Enclosure; No Self Aligning; Yes Retainer; Single Row of



Shenyang Sharjah Bearing Co.,Ltd.

	Roll
Other Features	1 Rib Outer Ring Drawn Cup Bearing
Category	Needle Non Thrust Roller Bearing
UNSPSC	31171512
Harmonized Tariff Code	8482.40.00.00
Noun	Bearing
Keyword String	Needle
Manufacturer URL	http://www.ikont.com
Manufacturer Item Number	BAM98
Weight / LBS	0.02
D	0.75 Inch 19.05 Millimeter
d	0.563 Inch 14.3 Millimeter
B	0.5 Inch 12.7 Millimeter